

6

5

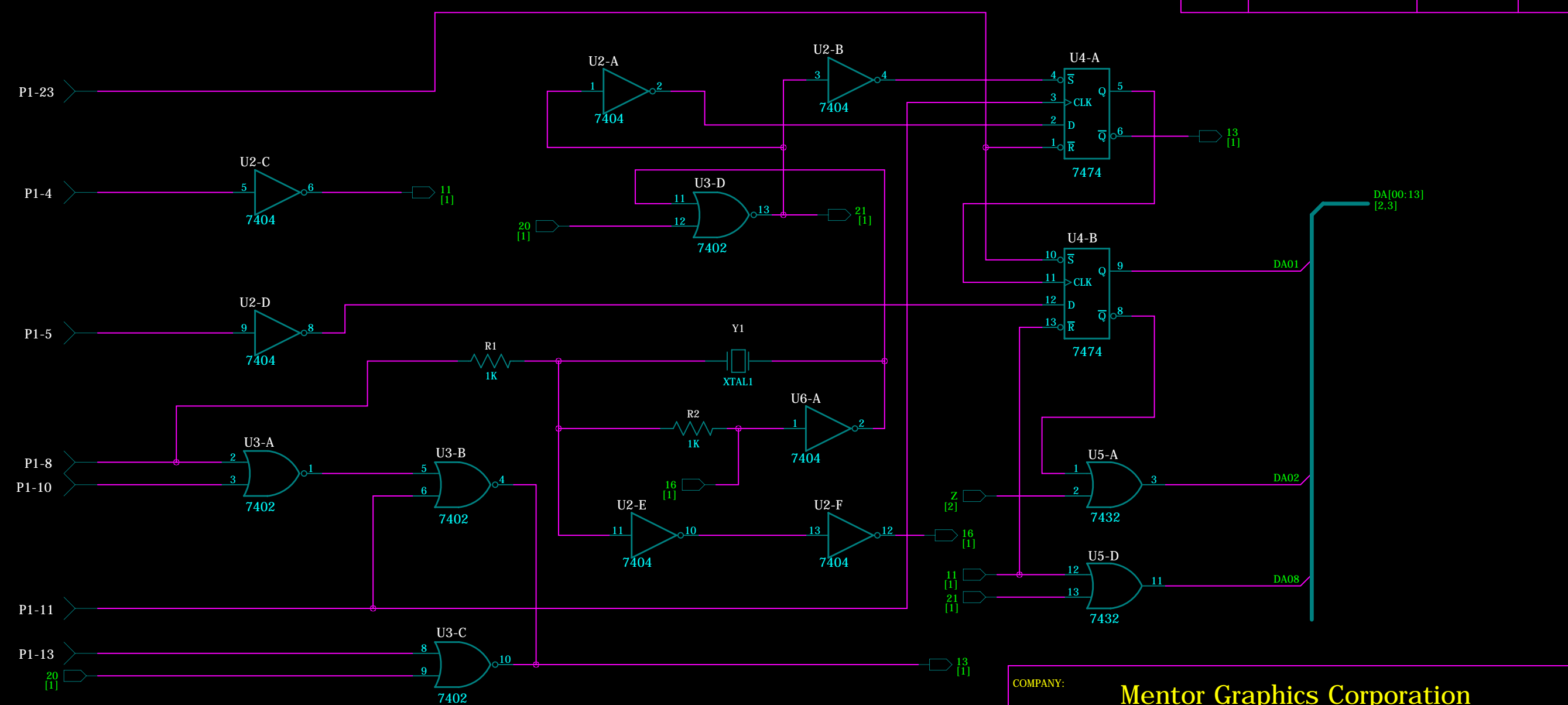
4

3

2

1

REVISION RECORD			
LTR	ECO NO:	APPROVED:	DATE:



D

D

C

C

B

B

A

A

COMPANY: Mentor Graphics Corporation			
TITLE:			
CODE:	SIZE:	DRAWING NO:	REV:
SCALE:		SHEET 1 OF 4	

DRAWN:	DATED:
CHECKED:	DATED:
QUALITY CONTROL:	DATED:
RELEASED:	DATED:

6

5

4

3

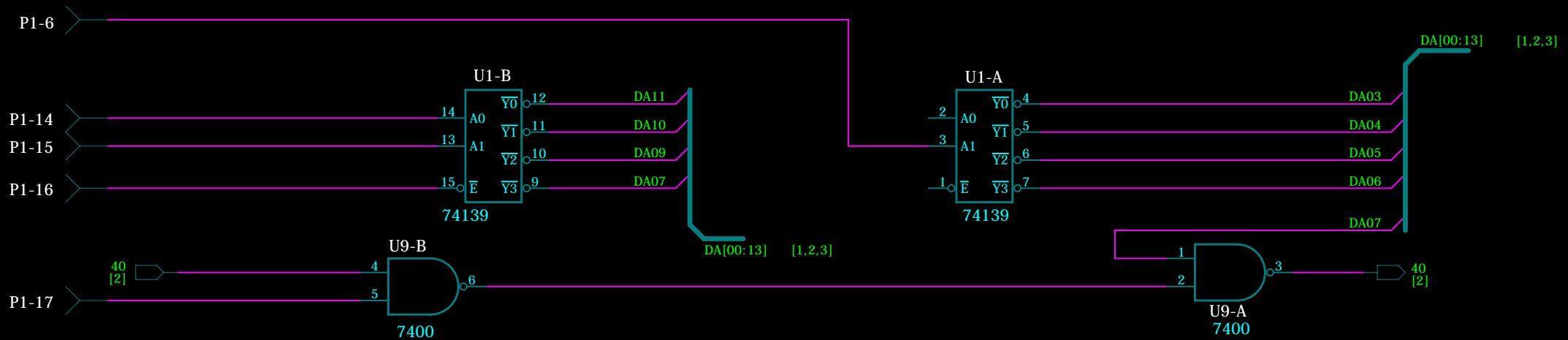
2

1

REVISION RECORD			
LTR	ECO NO:	APPROVED:	DATE:

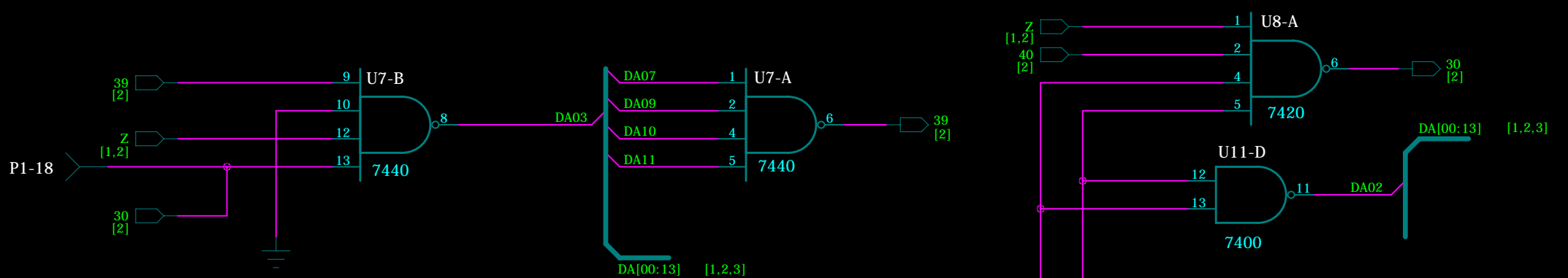
D

D



C

C



B

B

COMPANY: **Mentor Graphics Corporation**

TITLE:

A

A

DRAWN:	DATED:
CHECKED:	DATED:
QUALITY CONTROL:	DATED:
RELEASED:	DATED:

CODE:	SIZE:	DRAWING NO:	REV:
-------	-------	-------------	------

6

5

4

3

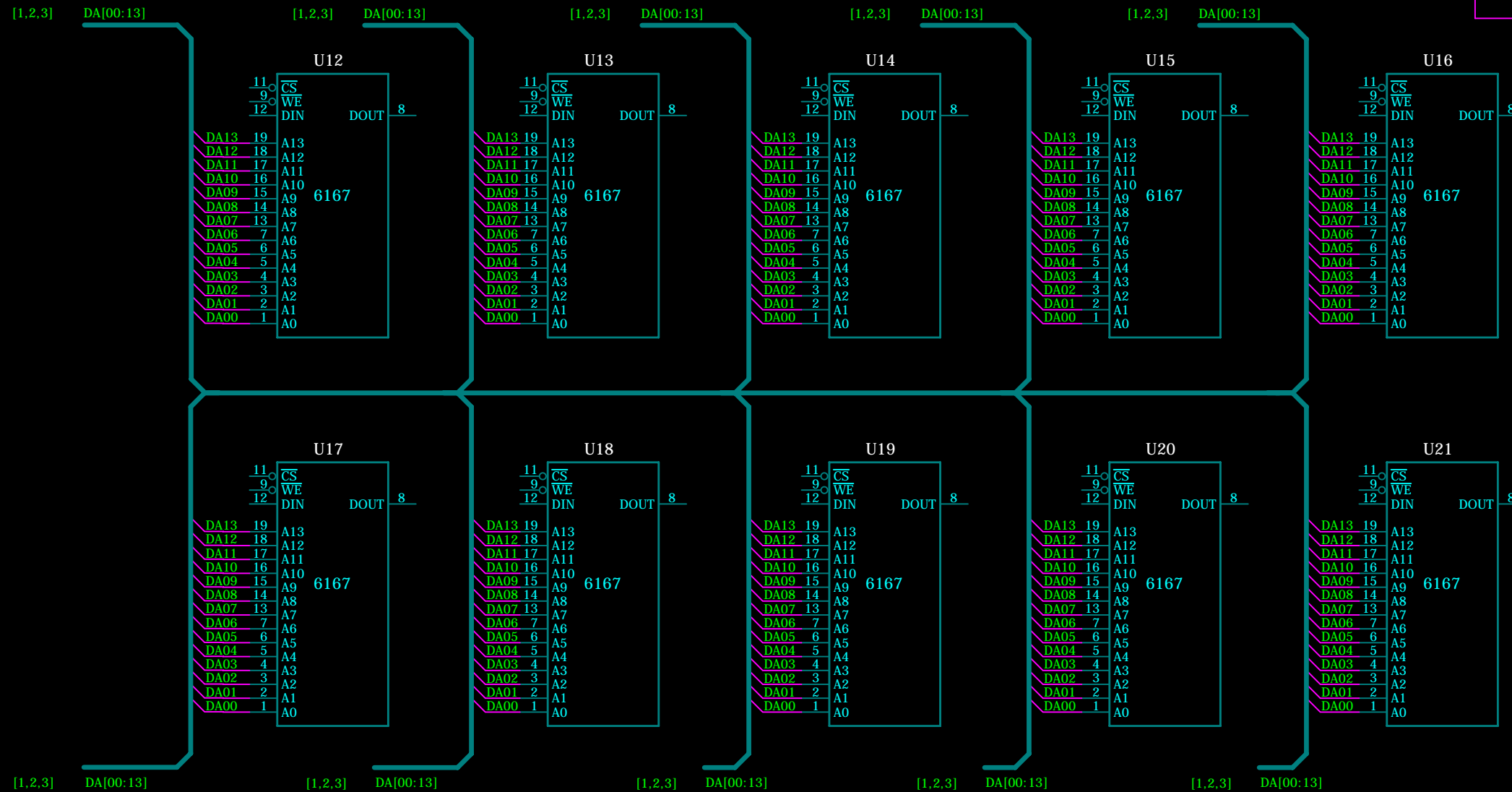
2

1

REVISION RECORD			
LTR	ECO NO:	APPROVED:	DATE:

D

D



C

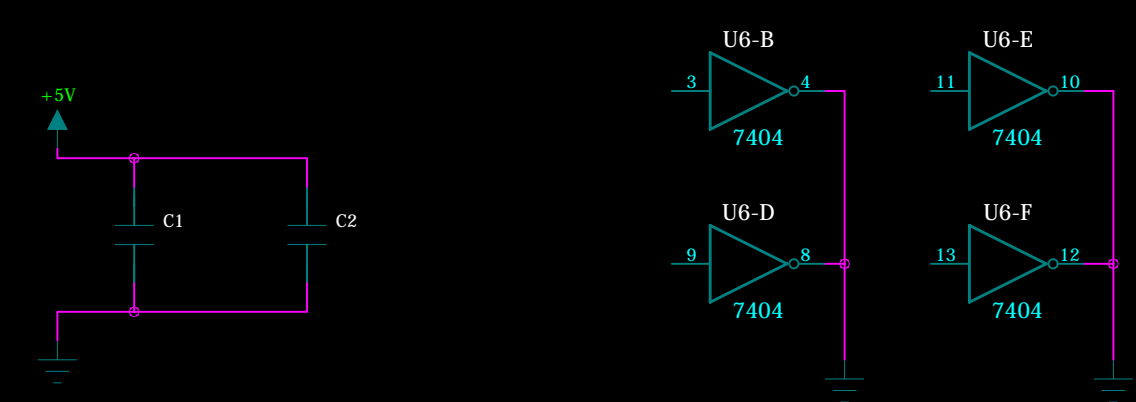
C

B

B

A

A



COMPANY:			
Mentor Graphics Corporation			
TITLE:			
CODE:	SIZE:	DRAWING NO:	REV:
SCALE:		SHEET 3 OF 4	

DRAWN:	DATED:
CHECKED:	DATED:
QUALITY CONTROL:	DATED:
RELEASED:	DATED:

6

5

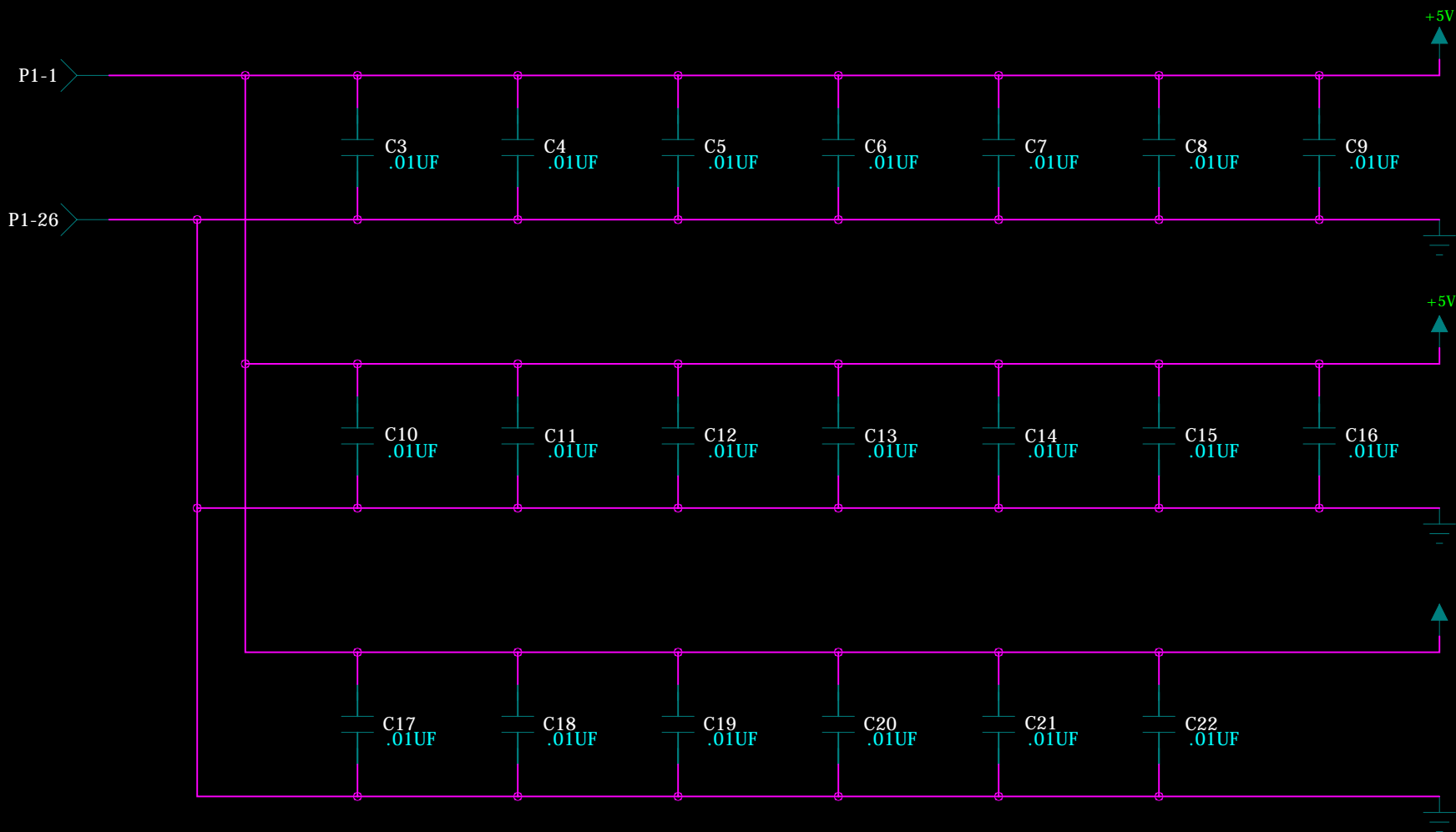
4

3

2

1

REVISION RECORD			
LTR	ECO NO:	APPROVED:	DATE:



COMPANY: **Mentor Graphics Corporation**

TITLE:

DRAWN:	DATED:
CHECKED:	DATED:
QUALITY CONTROL:	DATED:
RELEASED:	DATED:

CODE:	SIZE:	DRAWING NO:	REV:
-------	-------	-------------	------