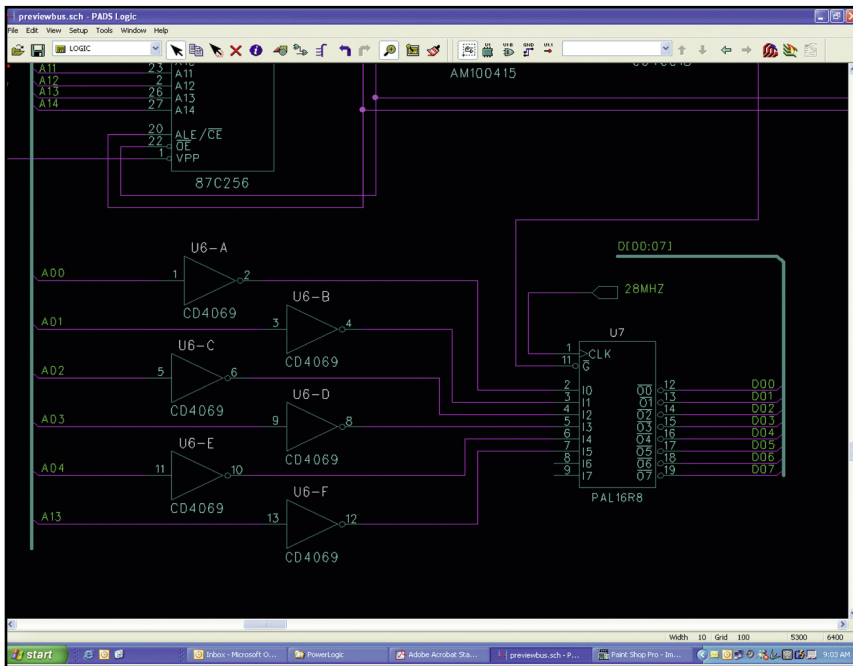


PADS Logic

PCB Design

D A T A S H E E T



PADS Logic is a dedicated schematic capture solution for companies that use PADS Layout as their layout solution.

Major product features

- Undo/Redo commands for easy, fast editing
- Detailed attribute and design rule definition and control
- Simplified object selection options
- Customized alphanumeric reference designators
- Wizards for custom report generation
- OLE automation provides seamless integration

Overview

PADS® Logic is a robust, schematic capture tool designed to build an effective, yet simplified, front-end environment for PADS Layout. This easy-to-use desktop solution offers instant access to every sheet the design, as well as on-line parts editing and library management facilities, and rapid navigational aids. Fully integrated with PADS Layout for efficient design transfer between schematic and layout, PADS Logic allows fast identification of corresponding components, thereby ensuring placement and accuracy.

Front-End Environment for PADS Layout

PADS Logic removes the drudgery of design entry by automatically numbering pins and gates, linking signal names across the entire schematic, and using macros to automate repetitive tasks.

For accurate design representation, designers can define attributes in PADS Logic and effectively pass them along throughout the design process. PADS Logic also has automatic electrical rule checking with integrated engineering change order (ECO) functionality. This ECO functionality ensures that any engineering change orders, whether entered in the schematic or the layout, are automatically reflected in both representations of the design.

Design-Rule Entry

PADS Logic is equipped with simple design-rule entry to define physical design requirements. All design rules are then transferred automatically to PADS Layout and monitored on-line with design rule checking features, to ensure they are accurately enforced.

Quick Schematic Definition and Integration

PADS Logic combines powerful schematic-capture functionality with beneficial productivity-enhancing features to ensure quick definition of the schematic and effective, efficient, and accurate integration with the entire design environment.

Component Information Management

Sometimes, as the design environment advances, it is necessary to add features supporting capabilities such as component information management. An upgrade to Mentor Graphics DxDesigner™ answers these needs. DxDesigner features include:

- Component information management
- Project management capabilities
- An interface to simulation tools
- Interfaces to additional layout tools

Platform and Operating Systems

Operating Systems

- Windows XP (service pack 2)
- Vista on Intel-based systems

Memory Requirements

- Windows Vista Ultimate or Business Editions:
 - 2 GB or more
- Windows XP Professional (SP2): 1 GB or more

PC Hardware

- Pentium IV 2+ GHz recommended.
- High-speed CPU recommended
- Three-button mouse or mouse with scroll wheel recommended

Visit our website at www.mentor.com/pads

Copyright © 2009 Mentor Graphics Corporation. All rights reserved. PADS is a registered trademarks of Mentor Graphics Corporation. DxDesigner, DxVariantManager, DxDatabook, I/O Designer, and View Sim are trademarks of Mentor Graphics All other trademarks mentioned in this document are trademarks of their respective owners.

Corporate Headquarters
Mentor Graphics Corporation
8005 SW Boeckman Road
Wilsonville, OR 97070-7777
Phone: 503.685.7000
Fax: 503.685.1204

Sales and Product Information
Phone: 800.547.3000

Silicon Valley
Mentor Graphics Corporation
1001 Ridder Park Drive
San Jose, California 95131 USA
Phone: 408.436.1500
Fax: 408.436.1501

North American Support Center
Phone: 800.547.4303

Europe
Mentor Graphics
Deutschland GmbH
Arnulfstrasse 201
80634 Munich
Germany
Phone: +49.89.57096.0
Fax: +49.89.57096.400

Pacific Rim
Mentor Graphics (Taiwan)
Room 1001, 10F
International Trade Building
No. 333, Section 1, Keelung Road
Taipei, Taiwan, ROC
Phone: 886.2.87252000
Fax: 886.2.27576027

Japan
Mentor Graphics Japan Co., Ltd.
Gotenyama Garden
7-35, Kita-Shinagawa 4-chome
Shinagawa-Ku, Tokyo 140-0001
Japan
Phone: 81.3.5488.3033
Fax: 81.3.5488.3004

